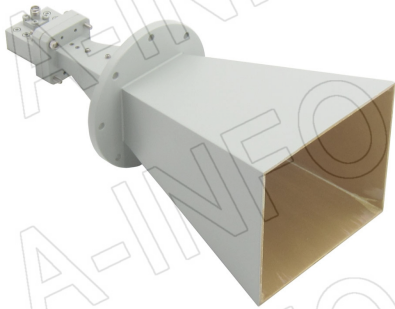


For reference only. See data sheet for the detailed specifications.

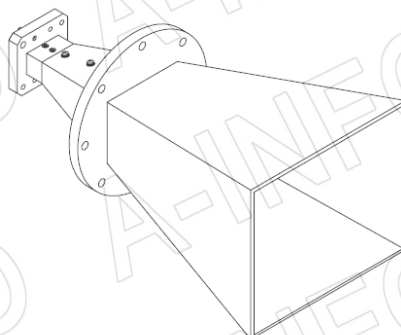
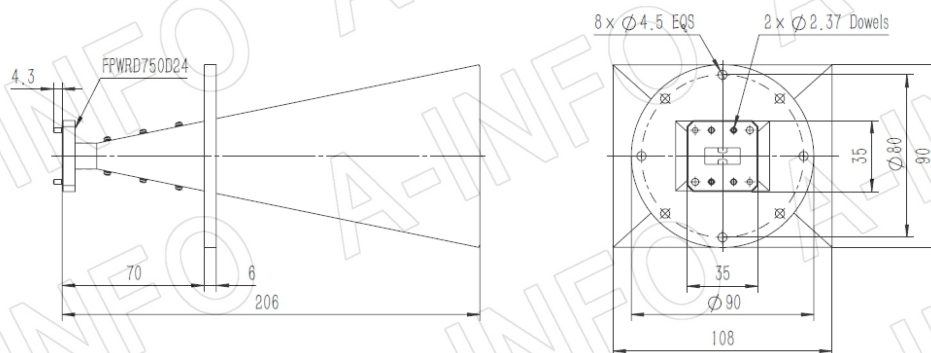
Technical Specification



Frequency Range(GHz)	7.5 - 18.0
Gain(dBi)	20 Typ.
Polarization	Linear
3dB Beamwidth(deg)	E Plane: 23 - 10
	H Plane: 26 - 11
Cross Pol. Isolation(dB)	30 Typ.
VSWR	1.5:1 Typ.
Output	A Type: FPWRD750D24
	C Type: SMA-Female or N-Female or High Power N-Female
Power Handling(W CW)	SMA-F: 50 Max.
	N-F: 150 Max.
	HP N-F: 500 Max.
Material	Al
Finish	Passivation and Chemical Conversion Coating, Gray Paint
Size(mm)	A Type: 108 x 90 x 206
	C Type: 108 x 90 x 237.7
Net Weight(Kg)	A Type: 0.35 Around
	C Type: 0.50 Around

Outline Drawing (Size: mm)

FPWRD750D24 Output (P/N: LB-75180-20-A)



AINFO Inc.

China(Beijing): Tel: (+86) 10-6266-7326,
 China(Chengdu): Tel: (+86) 28-8519-2786,
 USA: Tel: (+1) 949-639-9688,

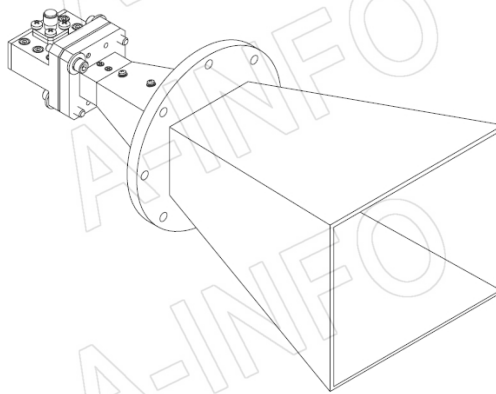
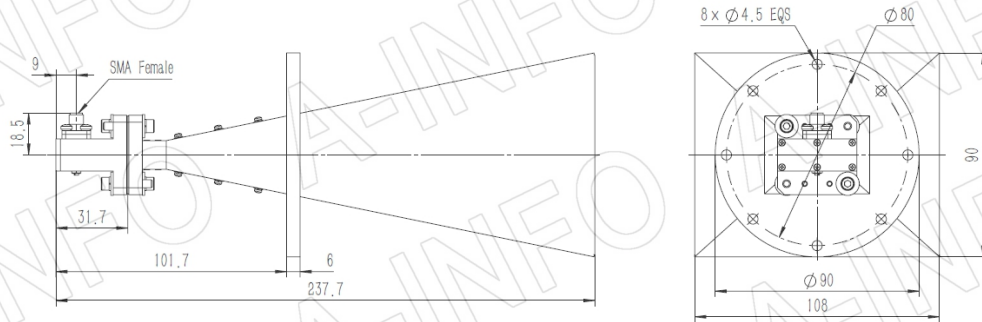
Page 1 of 12

(+86) 10-6266-7327 Fax: (+86) 10-6266-7379
 (+86) 28-8519-3044 Fax: (+86) 28-8519-3068
 (+1) 949-639-9608 Fax: (+1) 949-639-9670

Website: www.ainfoinc.com
 Email: sales@ainfoinc.com

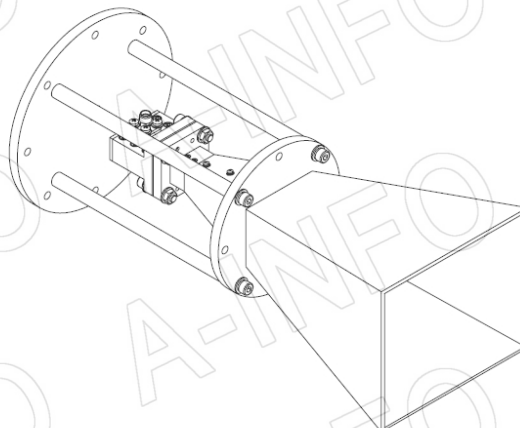
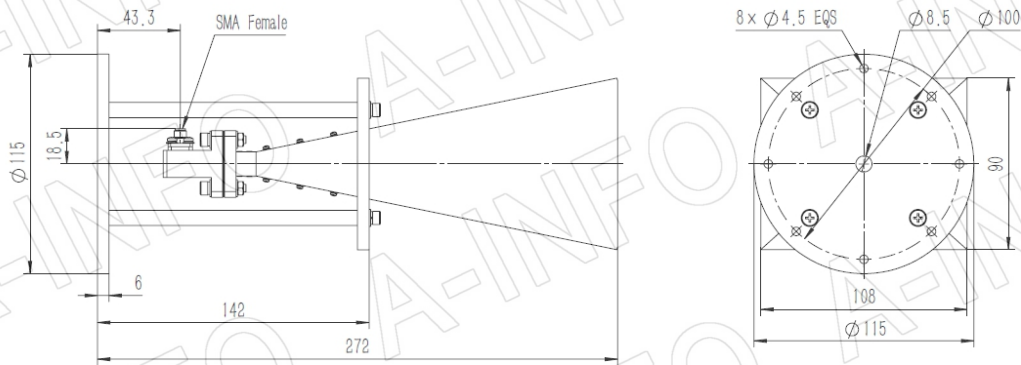
SMA-Female Output (P/N: LB-75180-20-C-SF)

For N-Female or High Power N-Female output outline drawing, please contact A-INFO.



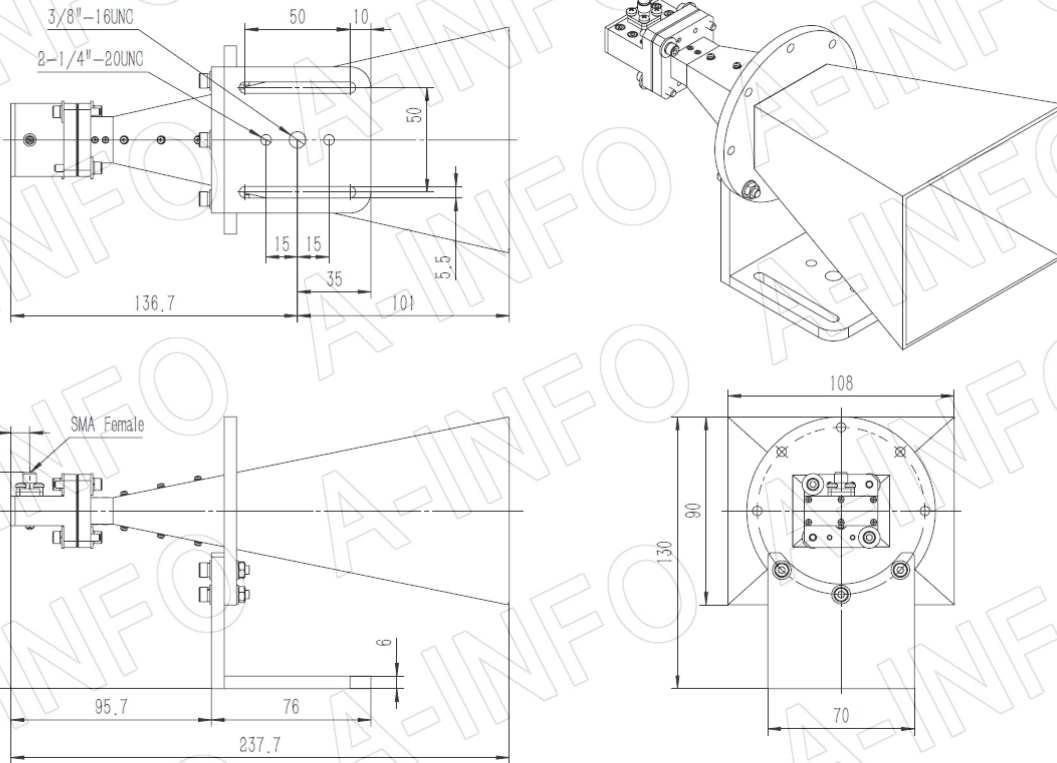
SMA-Female Output with Round Mounting Bracket (Option, P/N: LB-65180-20-C-MB)

For N-Female or High Power N-Female output outline drawing, please contact A-INFO.

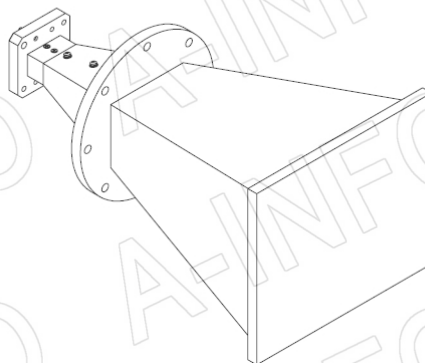
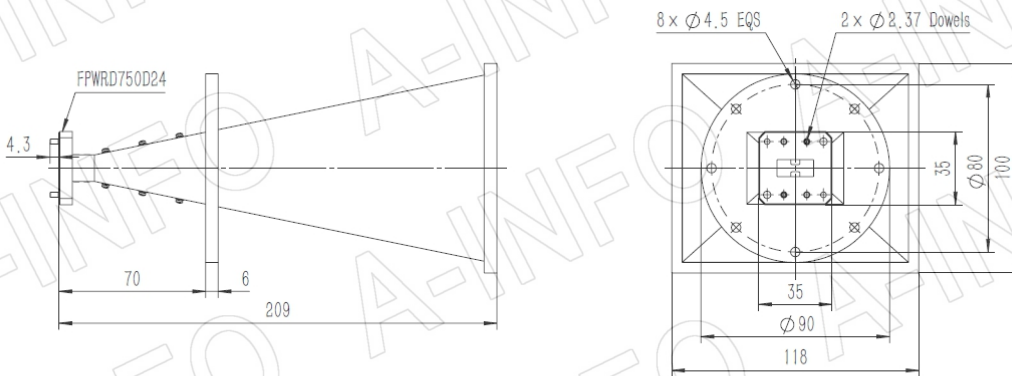


SMA-Female Output with L Type Mounting Bracket (Option, P/N: LB-65180-20-C-L)

For N-Female or High Power N-Female output outline drawing, please contact A-INFO.

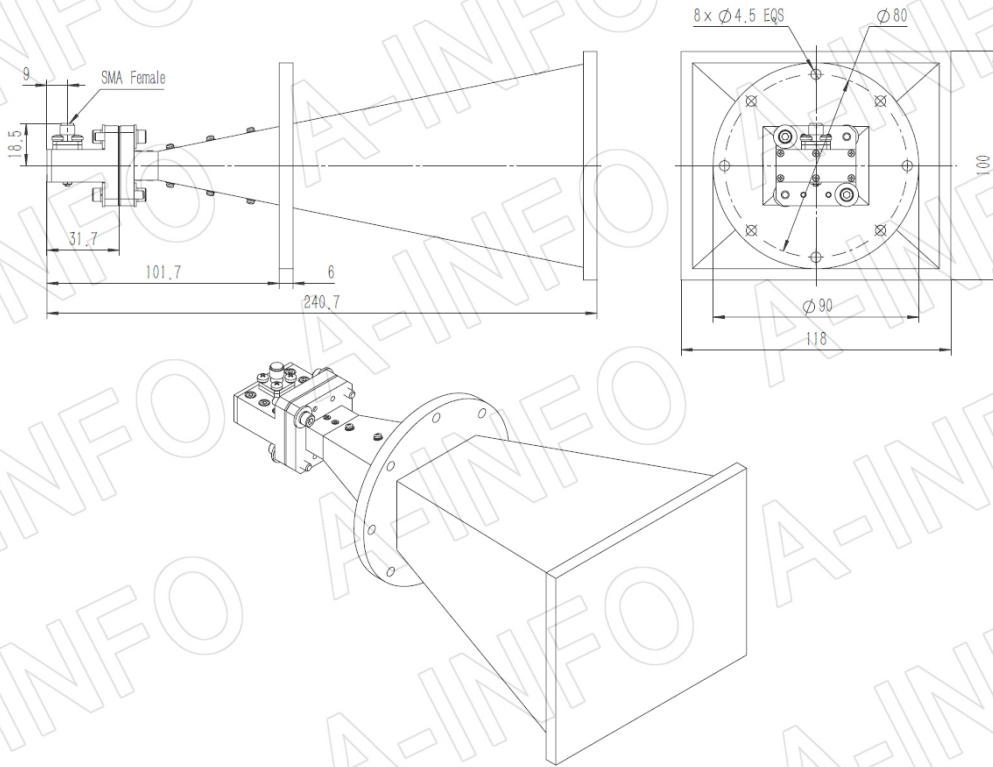


FPWRD750D24 Output with Radome (Option, P/N: LB-75180-20-ASPO, Outdoor Application)



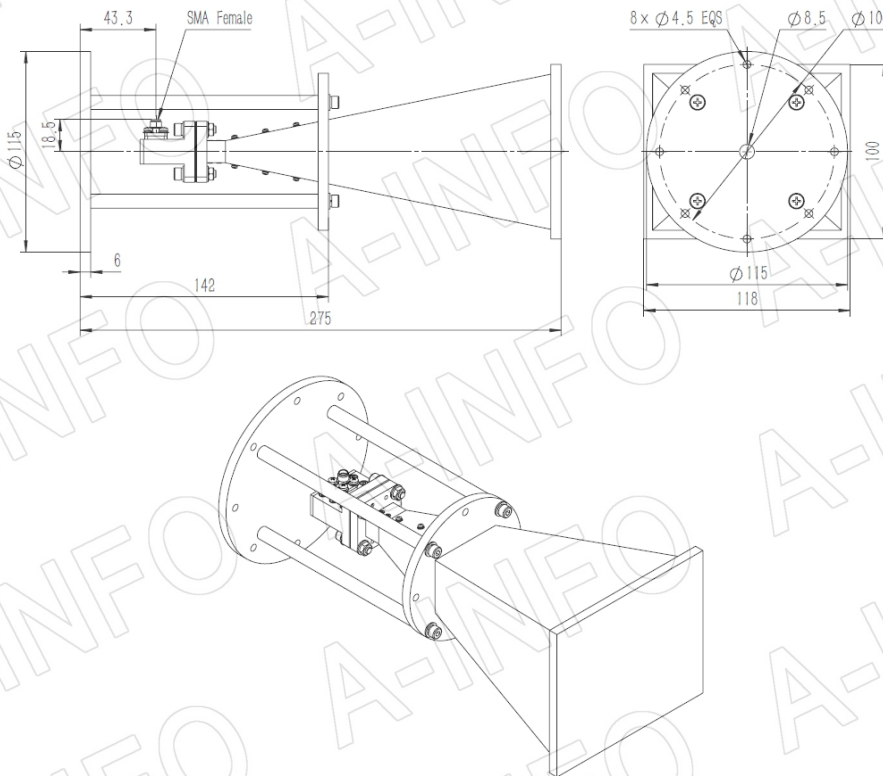
SMA-Female Output with Radome (Option, P/N: LB-75180-20-C-SFSP0, Outdoor Application)

For N-Female or High Power N-Female output outline drawing, please contact A-INFO.



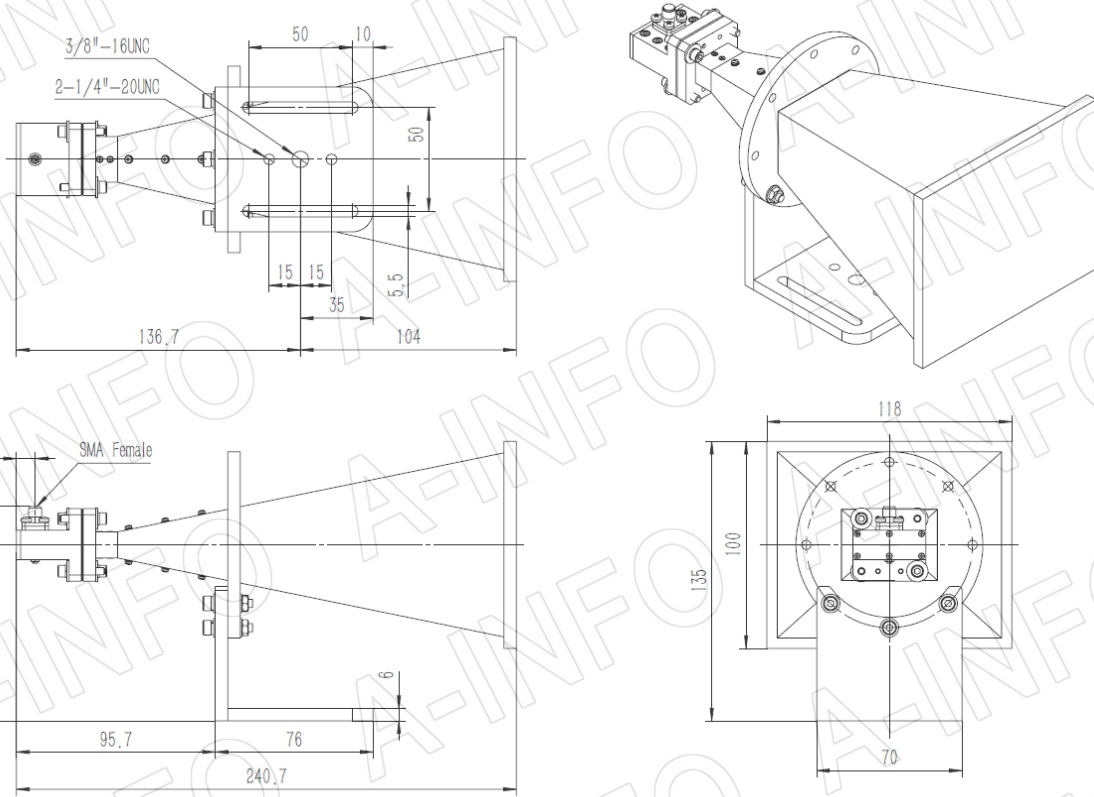
SMA-Female Output with Round Mounting Bracket & Radome (Option, P/N: LB-65180-20-C-MB & LB-75180-20-C-SFSP0, Outdoor Application)

For N-Female or High Power N-Female output outline drawing, please contact A-INFO.



SMA-Female Output with L Type Mounting Bracket & Radome (Option, P/N: LB-65180-20-C-L & LB-75180-20-C-SFSP0, Outdoor Application)

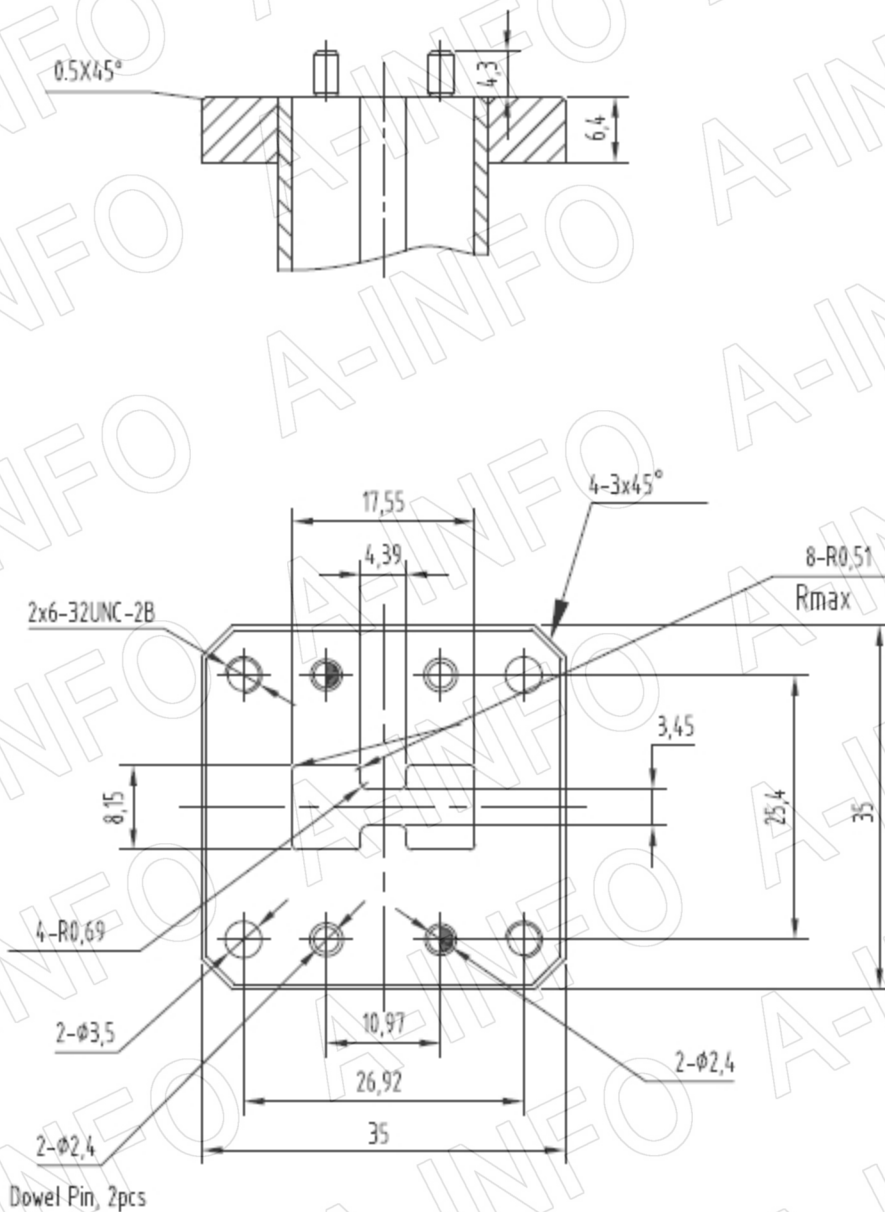
For N-Female or High Power N-Female output outline drawing, please contact A-INFO.



Flange Drawing (Size: mm)

FPWRD750D24

(With two through mounting holes
and two screws holes)



AINFO Inc.

China(Beijing):
China(Chengdu):
USA :

Tel: (+86) 10-6266-7326,
Tel: (+86) 28-8519-2786,
Tel: (+1) 949-639-9688,

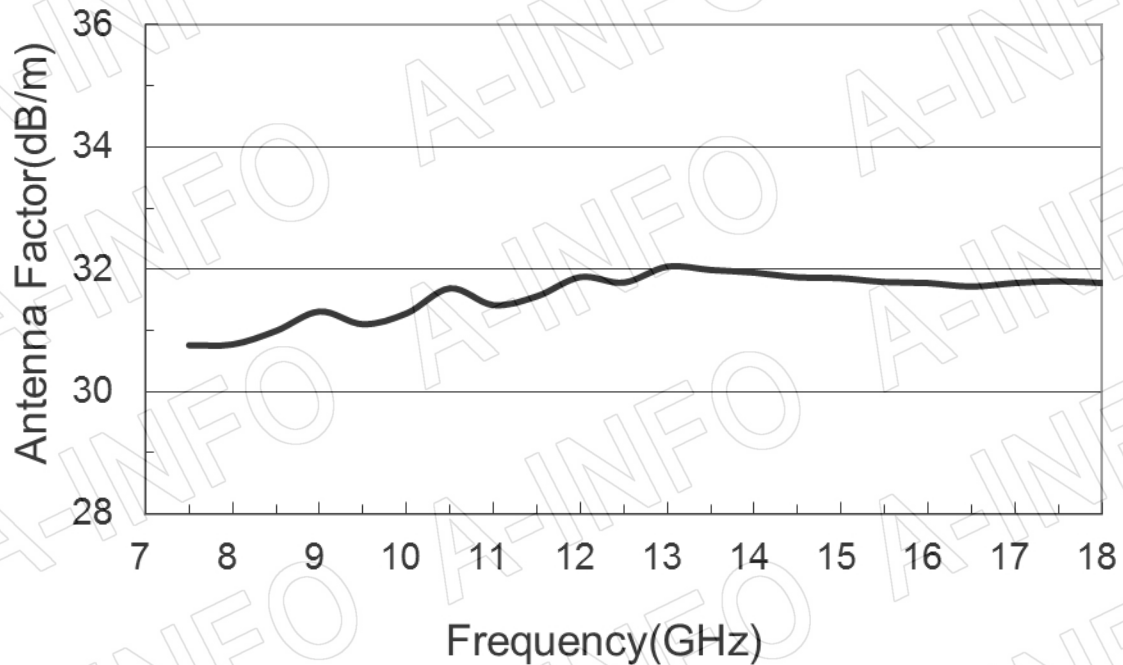
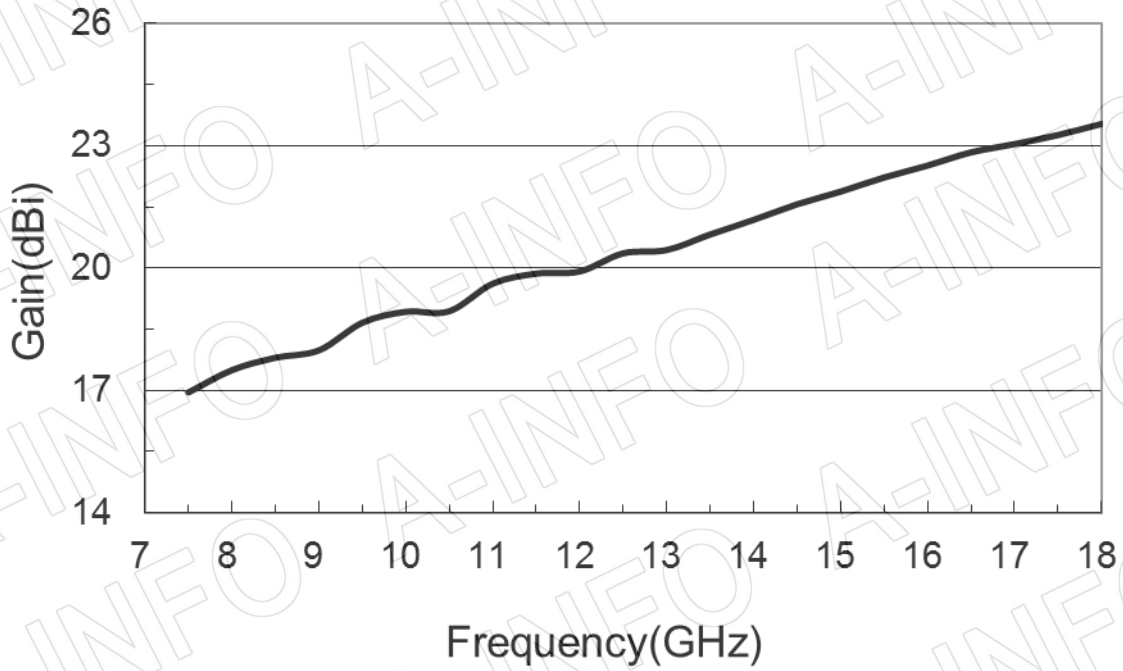
(+86) 10-6266-7327
(+86) 28-8519-3044
(+1) 949-639-9608

Fax: (+86) 10-6266-7379
Fax: (+86) 28-8519-3068
Fax: (+1) 949-639-9670

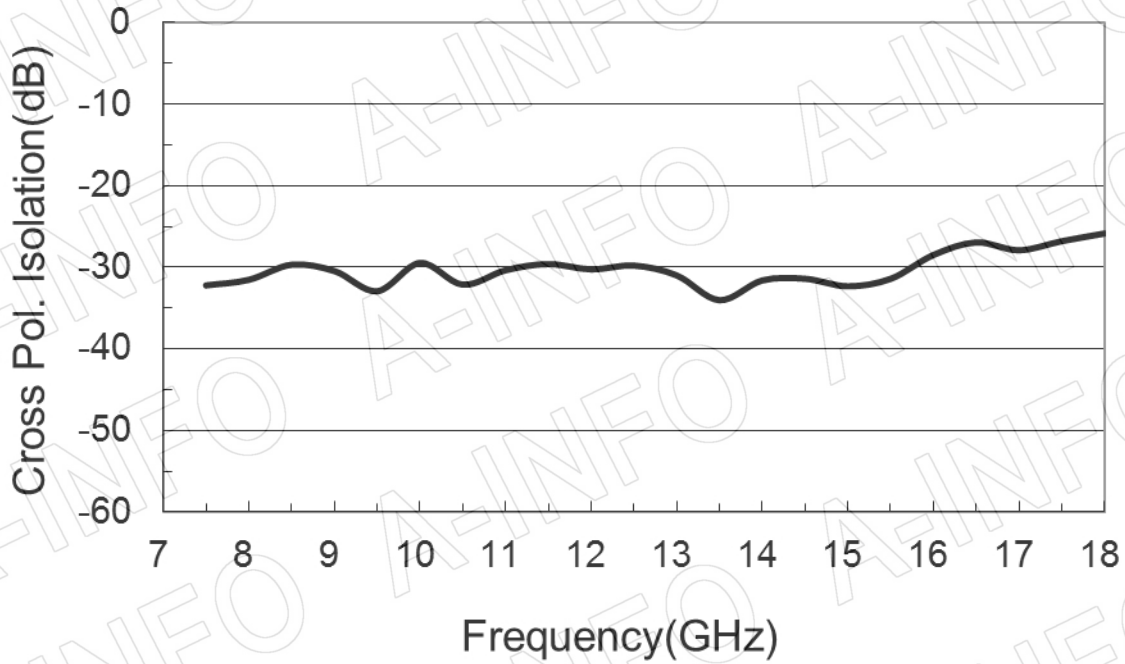
Website: www.ainfoinc.com
Email: sales@ainfoinc.com

Test Results

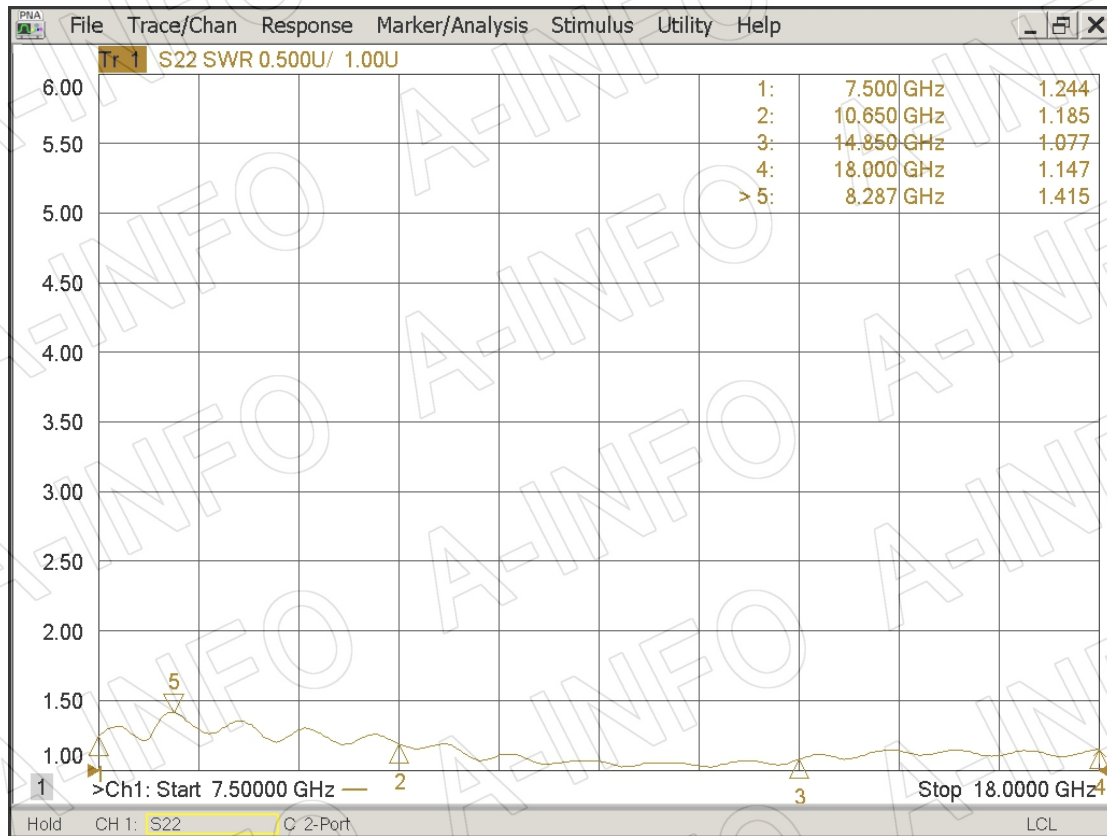
1. Gain & Antenna Factor



2. Cross Polarization Isolation



3. VSWR



4. Pattern

